

**Exam** : [HP HP0-P12](#)

**Title** : **Servicing HP Integrity  
Entry-Level Server**

**Version** : **Demo**

1. Which are valid ways to configure the iLO2 MP with an IP address? (Select two.)

A. through the rs232 port with the LC command

B. through the rs232 port with the LM command

C. through the rs232 port with the ipconfig command

D. through the arp -s [ipaddress] [MAC address] at command prompt

E. through the enable persistent ip [ipaddress] [MAC address] at command prompt

**Answer: AD**

2. Click the Exhibit button.

# 1 Upgrading the I/O Backplane

## I/O Backplane Upgrade Overview

The HP Integrity rx3600 Server and rx6600 Server may be upgraded from the 10 slot PCI/PCI-X I/O backplane to the 10 slot PCI/PCI-X/PCI-E I/O backplane.

**CAUTION:** HP rx3600 and rx6600 servers with the PCI/PCI-X I/O backplane support HP-UX 11i v3 and earlier. HP rx3600 and rx6600 servers with the PCI/PCI-X/PCI-E I/O backplane currently support HP-UX 11i v2 (B.11.23) and earlier. HP does not currently support upgrading HP rx3600 and rx6600 servers with the PCI/PCI-X I/O backplane running HP-UX 11i v3 to the PCI/PCI-X/PCI-E backplane. This upgrade is expected to be supported in a subsequent release.

Table 1-1 provides a comparison of the two backplanes for planning movement of I/O cards.

Core I/O cards must be placed in appropriate slots. The HP 8 Internal Port SAS HBAs or HP Smart Array P600 PCI-X cards must be installed in slots 1 and 2. The HP Smart Array P400 and HP Smart Array P800 PCI-E cards must be installed in slots 3 and 4. The Core LAN card is placed in slot 2, unless that slot is occupied by a SAS or Smart Array card. In such instances the Core LAN is placed in slot 10.

**Table 1-1 Slot Speed Comparison and Planning Table**

Slot Number	PCI/PCI-X I/O Backplane	Installed I/O Card	PCI/PCI-X/PCI-E I/O Backplane	Upgraded I/O Configuration
1	Core I/O Only- PCI-X 66 MHz <sup>1</sup>		Core I/O Only- PCI-X 66 MHz <sup>1</sup>	
2	Core I/O Only -PCI-X 66 MHz <sup>1</sup>		Core I/O Only- PCI-X 66 MHz <sup>1</sup>	
3	PCI-X 266 MHz		PCI-E x8 <sup>2</sup>	
4	PCI-X 266 MHz		PCI-E x8 <sup>2</sup>	
5	PCI-X 133 MHz		PCI-E x8	
6	PCI-X 133 MHz		PCI-E x8	
7	PCI-X 66 MHz <sup>3</sup>		PCI-X 133 MHz	
8	PCI-X 66 MHz <sup>3</sup>		PCI-X 133 MHz	
9	PCI-X 66 MHz <sup>4</sup>		PCI-X 66 MHz <sup>4</sup>	
10	PCI-X 66 MHz <sup>45</sup>		PCI-X 66 MHz <sup>45</sup>	

- 1 Slots 1 and 2 are shared slots on both backplanes.
- 2 Slots 3 and 4 are switched slots on the PCI/PCI-X/PCI-E backplane.
- 3 Slots 7 and 8 are shared slots on the PCI/PCI-X backplane.
- 4 Slots 9 and 10 are shared slots on both backplanes and are half length.
- 5 Core I/O LAN may occupy slot 10.

When installing a Smart Array P800 controller in an Integrity rx3600 or an Integrity rx6600 system, which slots should be used? (Select two.)

- A. PCI-X slot 1
- B. PCI-X slot 2
- C. PCI-E slot 1
- D. PCI-E slot 2
- E. PCI-E slot 4
- F. PCI-E slot 3

**Answer:** EF

3. A Machine Check Abort has occurred on your customer's Integrity rx4640 server. Which action do you take to extract and analyze why the machine crashed?

- A. EFI> run mca
- B. MP> cat /EFI/crash
- C. Shell> errdump mca
- D. copy the mca file to a computer and unzip the file

**Answer:** C

4. Which three conditions are used to support a pre-failure warranty replacement on HP SAS Drives?

(Select three.)

- A. blinking red LED on the SAS controller
- B. error logged regarding bad sectors in the BMC log
- C. drives are connected to HP Smart Array Controller
- D. the server is managed by HP System Insight Manager
- E. error messages shown up in the server EFI console during system restart
- F. uses SMART capable firmware on the drive that enables extensive fault prediction

**Answer:** CDF

5. After replacing two DIMMs of memory on an rx2660 server, which EFI command is used to verify that the new DIMMs are properly recognized?

- A. help
- B. info fw
- C. boottest
- D. info mem

**Answer:** D

6. How can the state of the Server Status LEDs of an rx2660 server be checked remotely?

- A. From the iLO2 MP Main Menu, execute VFP.

- B. From the iLO2 MP Command Menu, execute LOC.
- C. From the iLO2 Web GUI, activate remote diagnostic tool.
- D. From the iLO2 Web GUI, select System Status, then Server Status.

**Answer: A**

7. You want to use the iLO2 MP vMedia feature to update system firmware online, but it is not possible.

What can cause this problem?

- A. The iLO2 MP Advanced Pack is not applied.
- B. The vMedia feature must be enabled in the EFI.
- C. The USB drive must be connected to the server to use vMedia.
- D. The system board switch enabling vMedia features must be set to "on" position.

**Answer: A**

8. Click the Exhibit button.

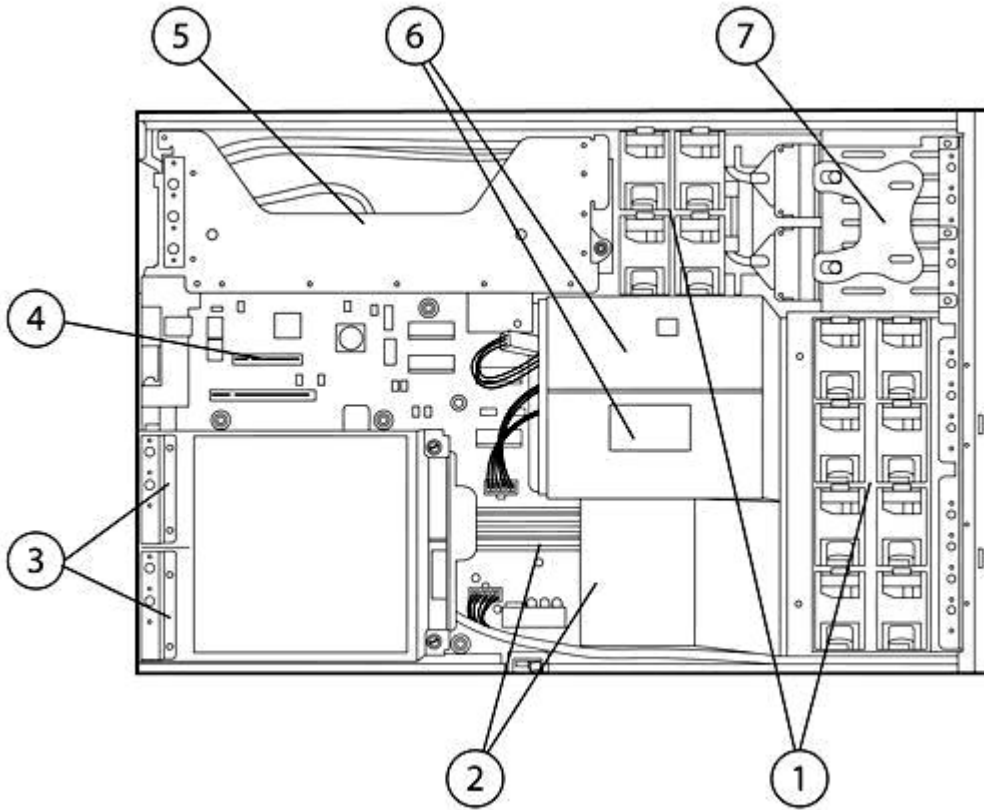
The picture is missing.

During the troubleshooting process, you want to verify if the power supplies on an rx3600 server are operating properly. Which number on the exhibit represents the power supply LED?

- A. 1
- B. 2
- C. 3
- D. 4
- E. 5

**Answer: D**

9. Click the Exhibit button.

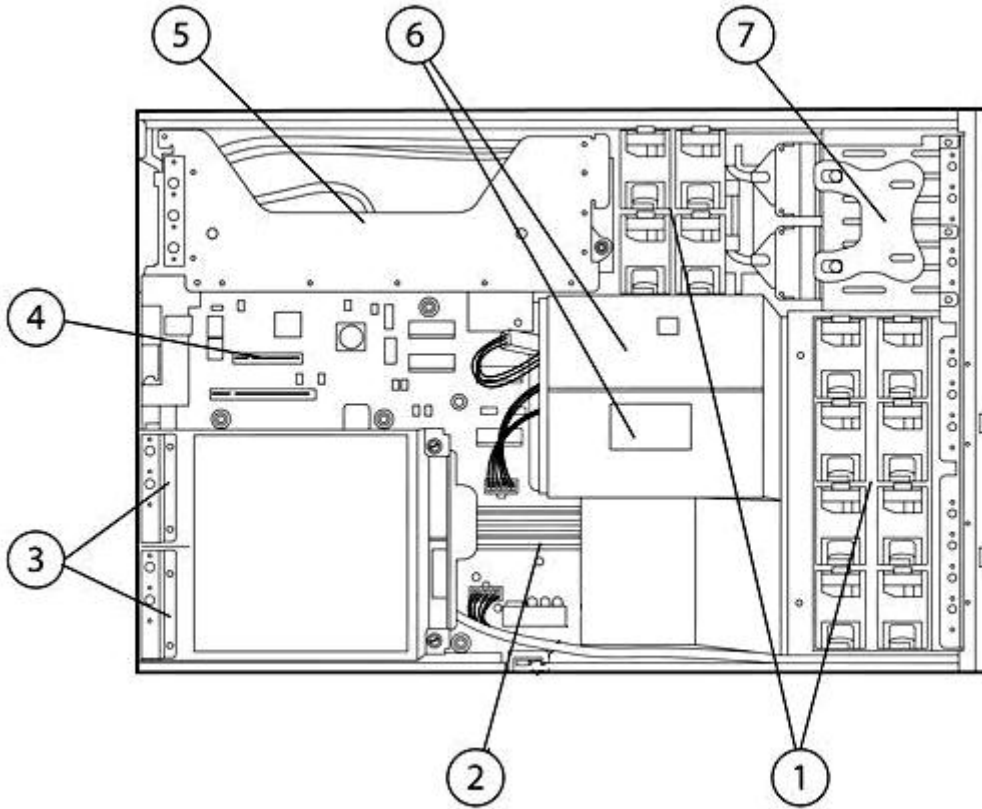


You must replace a failed processor on an HP Integrity rx2660 server. Which number on the exhibit represents the location of the processors?

- A. 2
- B. 3
- C. 4
- D. 5
- E. 6

**Answer: E**

10. Click the Exhibit button.



You must replace a failed memory DIMM on an HP Integrity rx2660 server. Which number represents the location of the memory DIMMs?

- A. 2
- B. 3
- C. 4
- D. 5
- E. 6

**Answer: A**